

# FLT-3230

## 3-phase track spotlights 30W

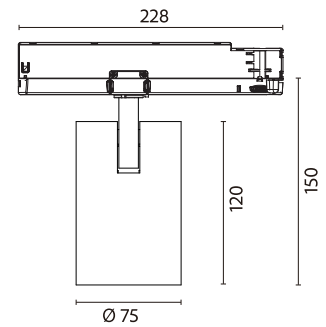
- with 3-phase track adapter driver
- compatible with GLOBAL 3-phase tracks
- rated voltage 220--240V 50...60Hz
- aluminum die casting housing
- Zhaga standard for fitting different branded LED COB module
- beam angle available in spot, medium, flood and wide flood
- powder coated finish in silver, white and black
- Horizontal 355°, Tilting 90°



### Rated Voltage

220--240V

### Beam angle



### Frequency

50...60Hz

### Color

